

General Features

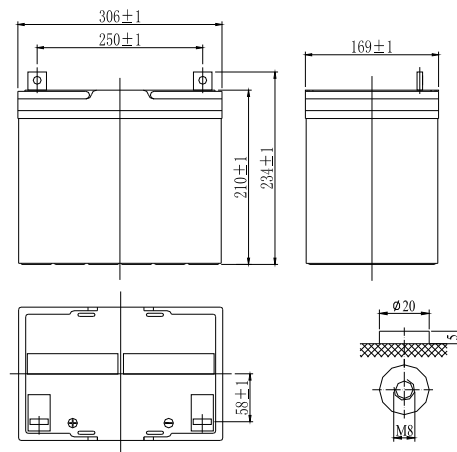
- Silica gel technology for longer cycle life and better performance at cold ambient temperatures.
- Special sheet separator and colloidal or foamed silica.
- Deep discharge cycle increased by 50% as compared with the AGM battery.
- High reliability and quality.
- Excellent recovery from deep discharge.
- Living up prevailing standards.

Specification

Nominal Voltage	12V
Number of cell	6
Design Life	10 years
Nominal Capacity 77°F(25°C)	
20 hour rate (5.0A,10.5V)	100AH
10 hour rate (9.55A,10.5V)	95.5AH
5 hour rate (17.3A,10.5V)	86.4AH
1 hour rate (66A,9.6V)	66.2AH
Internal Resistance	
Fully Charged battery 77°F(25°C)	5.2mOhms
Self-Discharge	
3% of capacity declined per month at 20°C(average)	
Operating Temperature Range	
Discharge	-30~60°C
Charge	-20~60°C
Storage	-30~60°C
Max. Discharge Current 77°F(25°C)	800A(5s)
Short Circuit Current	2000A
Charge Methods: Constant Voltage Charge 77°F(25°C)	
Cycle use	14.4-14.7V
Maximum charging current	27A
Temperature compensation	-30mV/°C
Standby use	13.6-13.8V
Temperature compensation	-20mV/°C

Dimensions and Weight

Length(mm / inch)	306 / 12.05
Width(mm / inch)	169 / 6.65
Height(mm / inch)	210 / 8.26
Total Height(mm / inch)	234 / 9.21
Approx. Weight(Kg / lbs)	30 / 66.1
Standard Terminal	I



Discharge Constant Current (Amperes at 77°F25°C)

End Point Volts/Cell	5min	10min	15min	30min	1h	3h	5h	10h	20h
1.60V	315	216	157	94.5	66.0	24.6	17.7	9.75	5.43
1.65V	283	197	153	91.8	65.9	24.5	17.5	9.60	5.34
1.70V	269	189	147	90.0	65.7	24.4	17.4	9.60	5.20
1.75V	239	175	139	88.2	62.3	24.3	17.3	9.55	5.00
1.80V	216	162	133	85.5	61.9	24.2	17.2	9.46	4.80

Discharge Constant Power (Watts at 77°F25°C)

End Point Volts/Cell	5min	10min	15min	30min	1h	3h	5h	10h
1.60V	519	358	279	178	117	47.3	32.9	19.1
1.65V	492	353	276	174	113	47.2	32.8	18.8
1.70V	459	344	271	170	110	47.1	32.7	18.6
1.75V	428	322	255	165	109	46.4	32.4	18.3
1.80V	384	299	240	161	107	45.8	31.9	18.0

